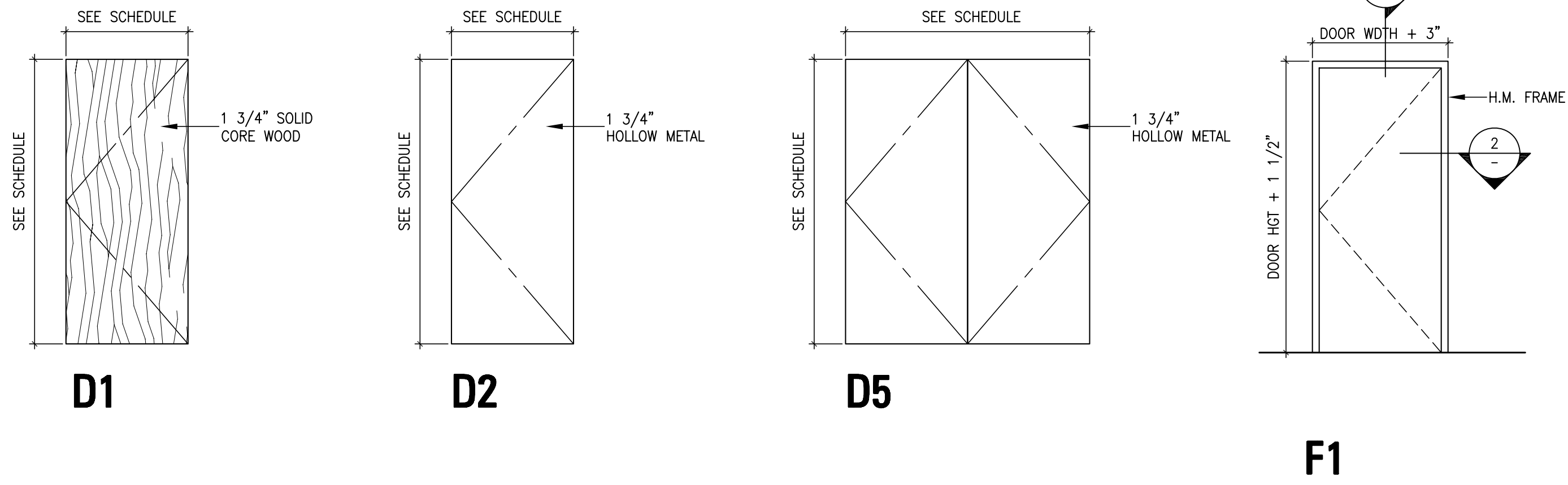
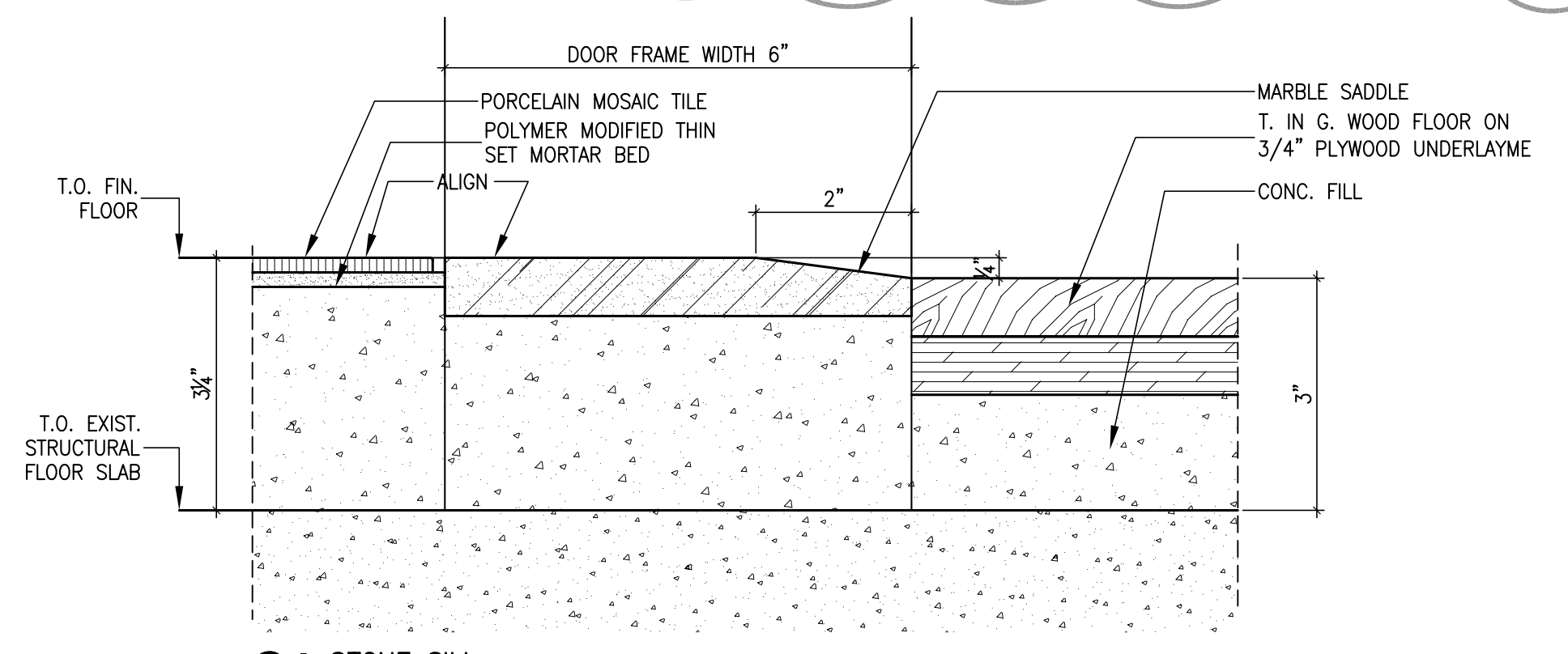


DOOR & FRAME TYPES



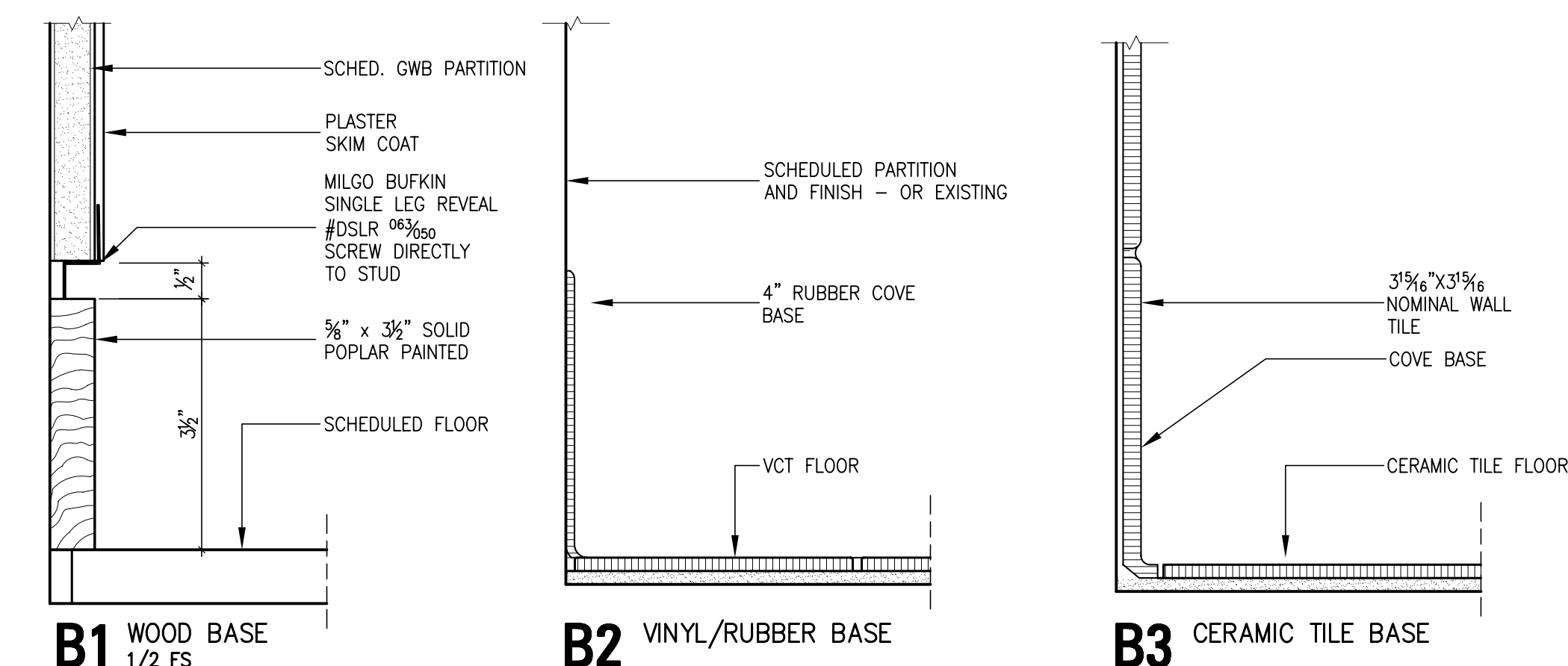
DOOR SCHEDULE		AL	ALUMINUM	GL	GLASS	CLR	CLEAR FINISHED	AN	ANODIZED			
		BPT	BAKED ON PAINT	CONC.	CONCRETE	WD	WOOD	STL	STEEL			
		HM	HOLLOW METAL	PT	PAINTED	AHM	ARCH. HOLLOW METAL					
NO.	DOOR	FRAME			SILL TYPE		HARDWR	FIRE	REMARKS			
	TYPE	MAT	FINISH	THKN	WIDTH	HEIGHT	TYPE	SET NO.	RATING			
01A&B	EXISTING									COORDINATE METAL SURROUND		
02	EXISTING							1		APPLY NEW HARDWARE TO EXIST. DOORS		
03	EXISTING		PT				EX			REPAIR & PAINT DOOR		
04	D3/SECTIONAL	WD/MET/GL	CU/PT	1 3/4"	3'-0"	7'-0"	F2	MET/GL	PT	2	SEE ELEVATIONS & DETAILS	
05	D1	WD	CL	1 3/4"	3'-0"	7'-0"	F1	HM	PT	S1	3	
06	D1	WD	CL	1 3/4"	3'-0"	7'-0"	F1	HM	PT	S1	3	
07	D1	WD	CL	1 3/4"	3'-0"	7'-0"	F1	HM	PT	S1	3	SEE ELEVATIONS AND DETAILS
08	D2	HM	PT	1 3/4"	3'-0"	7'-0"	F1	HM	PT		4	1 1/2 HR
09	D4	WD	CL	1 3/4"	3'-6"	7'-0"	F3	MET/GL	PT		5	SEE ELEVATIONS & DETAILS
10	D1	WD	CL	1 3/4"	3'-0"	7'-0"	F1	HM	PT		3	
11	D5	HM	PT	1 3/4"	6'-0"	7'-0"	F4	HM	PT		6	

SILL TYPES



S1 STONE SILL
1/2 F.S.

BASE TYPES

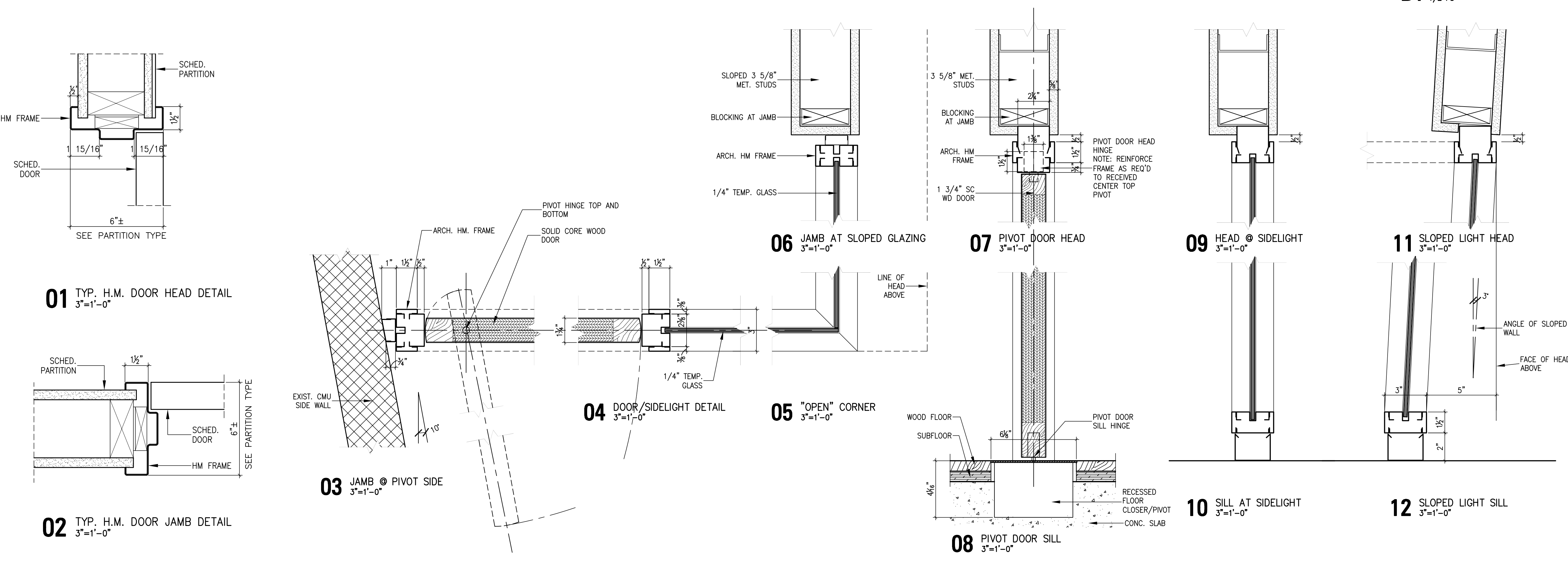


B1 WOOD BASE
1/2 FS

B2 VINYL/RUBBER BASE

B3 CERAMIC TILE BASE

DOOR & FRAME DETAILS



CITY UNIVERSITY OF NEW YORK
WELCOME CENTER
 New York City College of Technology
 300 JAY STREET
 BROOKLYN NEW YORK 11201
PRENDERGAST LAUREL ARCHITECTS
 143 DUANE STREET NEW YORK, NY 10013
MOTTOLA RINI ENGINEERS PC
 34 WEST 25TH STREET NEW YORK NY 10001
 DRAWING TITLE
1ST FLOOR DOOR SCHED. & DETAILS
 SCALE 1/4" = 1'-0"
 DATE: APRIL 2007
 DRAWN BY: DP/DL/CH
 CHECKED BY: DP
 PROJECT NO. 0702
 DRAWING NO.

A.008.00